

VERTICAL BAR SCREEN TYPE SI350 FOR FLOWS UP TO 220 GPM



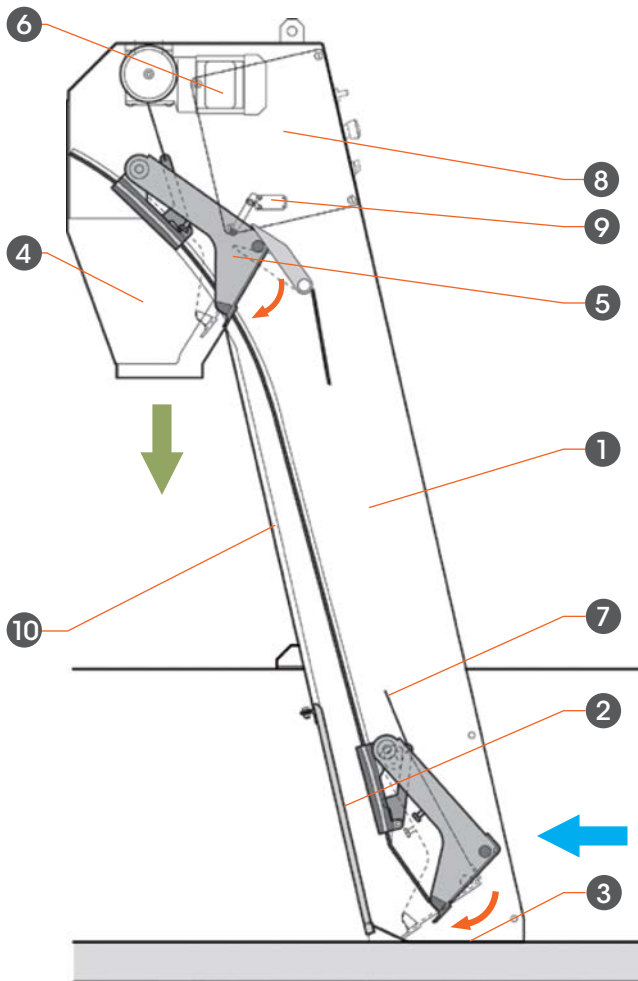
SPECIFICITIES

- Downstream waste discharge
- Ideal for installations with flows up to 220 gpm
- Installation into channels only
- Simple design = long-term reliability
- Removable screen and comb
- Integrated control panel (optional)
- Waste directly recovered into a trash container or other container
- UL-508A (US) & UL-C508A (Canada) certified controls

TECHNICAL CHARACTERISTICS

Max. Flow Rate	220.00 gpm
Bar Spacing	1/4" to 3/4"
Width	13-3/4"
Depth under Installation Plane	15-3/4" to 55"
Discharge Height	23-5/8" to 55"
Discharge Side	Downstream
Slope	15°
Material	304L or 316L





1 • FRAME

Forms casing with attachment parts (by fastening or embedding).

2 • REMOVABLE SCREEN

Mounted with bolts to the frame.

3 • COLLECTION RECEPTACLE

4 • WASTE DISCHARGE HOPPER

With inspection door.

5 • SCOOP/CARRIAGE ASSEMBLY

The carriage slides on a plate. The scoop is equipped with a removable comb to clean the screen.

6 • GEARED MOTOR

(SEW, P=0,18kW), three-phase, with single-strap drum.

7 • POLYESTER STRAP

Resistant to all chemical products and freezing (breaking strength = 6,000 lbs).

8 • CONTROL PANEL (OPTIONAL)

Equipped with:

- ON/OFF selector
- Emergency Stop punch button
- «3 Positions» Switch (Auto/O/Manu with manual control)
- «Power», «Fault» and «Reset Fault» indicator lights
- Inputs on programmable logic controller: «external command» and «force-guided command»
- Outputs on programmable logic controller: «Bar screen fault feedback»

9 • POSITION SWITCH

«Top»

10 • WASTE GUIDE

OPERATING PRINCIPLE

On receiving the operation signal, the scoop/carriage assembly slides down opened. At the end of the rails, the scoop comes to rest on the collection receptacle. The strap completely unwinds, then rewinds the other way around the drum. The scoop closes engaging its teeth in the screen and is raised. When exiting the screen, the waste is trapped between the comb and the "waste guiding" plate. At the top, when the comb reaches the inclined plane, the waste falls in the hopper. The carriage reaches the "top" limit sensor, which stops the geared-motor and activates the reverser. The motor's rotation is reversed, the scoop/carriage assembly slides down again for a new cycle.

OPTIONS

Control panel, lateral deflectors, single-phase geared-motor, waterproof current transformer if neutral is missing, bagging strap on hopper, solar panel for power supply, assembly or help with assembly provided by an FB Procédés technician, etc.

1-503-650-9454

comarco@comarcoindustrial.com

www.comarcoindustrial.com